

HEAT RECOVERY VENTILATOR

VENMAR AVS SOLO 2.0

Part #45720 Canada

Part #45725 US

117 to 189 CFM (0.4 in. w.g.)



VB0009

THE «EXCESS MOISTURE» SYSTEM; WHEN ALL THE SIGNS POINT TO EXCESS HUMIDITY.

The dramatic strength of the AVS SOLO is its ability to help control humidity and window condensation during the colder season. Customers benefit from clean, fresh air in a more comfortable environment, while optimizing energy efficiency and protecting their homes.

- Reversible unit installation
- Improved standard filter performance
- Unique pan design, easy to clean and maintain
- Intergrated balancing dampers and pressure taps
- Crossflow heat recovery core
- Exclusive HomeShield™ patented defrost system
- SilentSure™ operation
- PSC motor

REPAIRS AND MAINTENANCE

All parts of the AVS SOLO can be removed in less than five minutes, allowing direct access for easy repairs. The low power consumption PSC motor is permanently lubricated. Even better, the entire motor assembly can be removed in less than a minute for easier maintenance. Finally, the electronic circuit board eliminates electromechanical parts, reducing repair time to a minimum.

WARRANTY

The Venmar AVS SOLO is fully protected by a 5-year warranty and the heat recovery core is covered by a lifetime warranty. We are so confident in our product that we also offer a 90 day in-home warranty on parts and service.

Available at:

Controls

- Built-in electronic circuit board ready to receive one of the following main controls:
 - SUPRA #40320 - *Ideal for this system application*
 - ULTIMA #40340
 - VENTA #40310
- One or more of the following optional controls can be added:
 - Humidity Control #11297
 - 20-min. lighted push button #12030
 - 60-min. mechanical timer #00910
 - 20/40/60-minute push button #03364
 - Wireless 20-minute remote control #03366

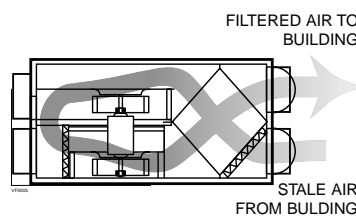
Options

- Integrated furnace interlock relay
- Complete line of registers and diffusers
- Electric duct heater
- Filters:
 - Charcoal #03315
 - Pleated #03316
 - Electronic #03314

HomeShield™ Defrosting System

The AVS SOLO uses a unique defrosting method. No negative pressure is created by air exhausted to the outside, as the air is recirculated into the house, thus avoiding any backdraft from the chimney. Moreover, this defrosting method by air circulation ensures that no shortage of air is created for combustion units.

OUTSIDE TEMPERATURE °C	DEFROST CYCLE defrosting min. / operating min.	DEFROST CYCLE	
		°C	(°F)
Warmer than -5	Warmer than (23)	No defrost	
-5 TO -15	(23 TO 5)	6/60	
-15 TO -27	(5 TO -19)	6/32	
-27 & LESS	(-19 & LESS)	6/20	



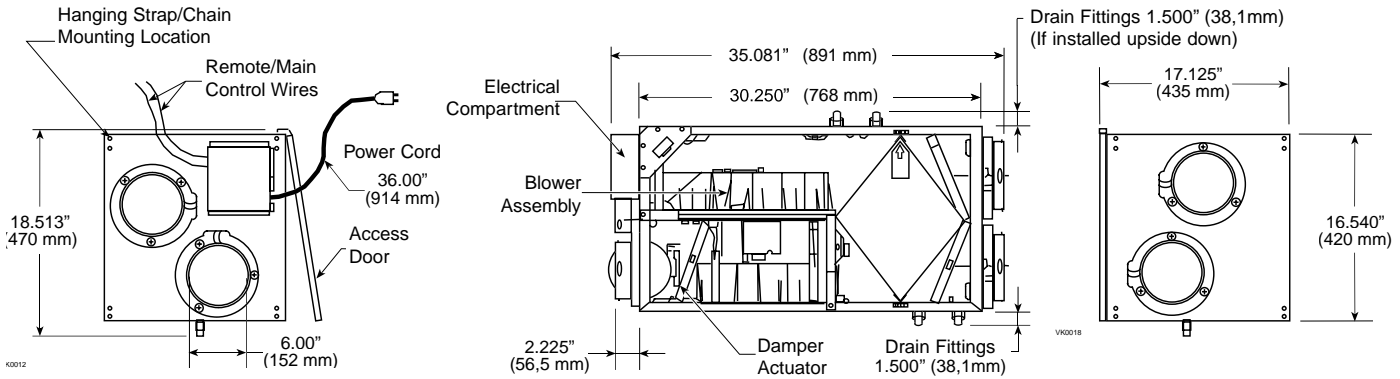
Heat Recovery Core

Dimensions: 12" x 14" x 15-1/2" (31 cm x 36 cm x 40 cm)
 Exchange surface: 102 ft² (9.54 m²)
 Weight: 6.2 lbs (2.8 kg)
 Material: Polypropylene (coroplast)
 Type: Crossflow core
 Warranty: Lifetime

Requirements and Standards

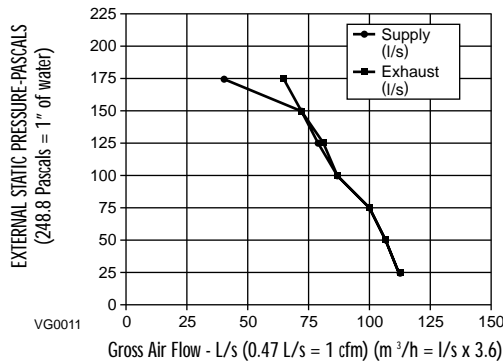
- Complies with UL 1812 requirements regulating the installation of Heat Recovery Ventilators.
- Complies with the CSA C22.2 #113 Standard applicable to ventilators.
- Complies with CSA C444 requirements regulating the installation of Energy Recovery Ventilators.
- Technical data was obtained from published results of tests relating to CSA C439 Standards.
- HVI certified.

Dimensions and Service Clearances: Venmar AVS SOLO 2.0



Ventilation Performance

EXT STATIC PRESSURE	NET SUPPLY AIR FLOW			GROSS AIR FLOW						
	Pa	in.w.g.	l/s	cfm	m ³ /h	l/s	cfm	m ³ /h	l/s	cfm
25	.1	110	234	396	112	237	403	112	237	403
50	.2	104	219	374	105	223	378	106	225	382
75	.3	98	208	353	100	211	360	99	210	356
100	.4	89	189	320	91	192	328	91	193	328
125	.5	84	177	302	85	180	306	82	174	295
150	.6	71	151	256	72	153	259	71	149	256
175	.7	64	136	230	65	138	234	44	94	158



Energy Performance

SUPPLY TEMPERATURE		l/s	NET AIR FLOW		POWER CONSUMED WATTS	SENSIBLE RECOVERY EFFICIENCY	APPARENT SENSIBLE EFFECTIVENESS	LATENT RECOVERY/MOISTURE TRANSFER
C°	F°		cfm	m ³ /h				
HEATING								
0	+32	56	119	202	124	60	70	-0.01
0	+32	86	182	210	197	53	62	-0.01
0	+32	---	---	---	---	---	---	---
-25	-13	37	78	133	114	62	80	0.08
-25	-13	---	---	---	---	---	---	---
COOLING								
+35	+95	---	---	---	---	TOTAL RECOVERY EFFICIENCY		
+35	+95	---	---	---	---	Not tested		
+35	+95	---	---	---	---	---		

NOTE: All specifications are subjected to change without notice.

Specifications and Ratings

- Model: Venmar AVS SOLO 2.0
- Part Number: #45720 Canada, #45725 US
- Total Assembled Weight (Including polypropylene core): 67 lbs (30.5 Kg)
- Supply Air Duct Connections: 6" (15.24 cm) diameter
- Exhaust Air Duct Connections: 6" (15.24 cm) diameter
- Drains: 1/2" (1.2 cm) fittings with 10 ft (3 m) PVC drain
- Filters: 20 ppi washable reticulated foam: -15.375" x 7.125" x 0.75" (39 x 18 x 1.9 cm)

- Cabinet: 20 ga. pre-painted steel
- Insulation: 1" (2,54 cm) aluminium foil faced fiberglass, 0.825" (2,10 cm) expanded polystyrene
- Mounting: suspension by chains and springs
- Supply & Exhaust Blower Motor: 1 motor
 - Protection type: Thermally protected
 - Insulation class: B
 - V (motor marking): 120 V ac, 60 Hz, 1.7 A, 1040/1300/1630 RPM

- Fan Speed Controls: -Low, increased low & high speed.
 - Two speeds available to user.
 - Low or increased low speed is selected at the time of installation.
- Heat Recovery Core:
 - Heat Exchange Surface Area: 102 ft² (9.54 m²)
 - Type/Material: Crossflow / Polypropylene
- Unit Electrical Characteristics:

	Volts	Freq	Amperes	Watts
Canada/US	120	60 Hz	2.1	240

Submitted by:		Date:	Project:
Qty:	Model #:	Remarks:	Location:
			Architect:
			Engineer:
			Contractor:

